



# VR EVO 10 & 12 24V

10,000 lb. Capacity—The Perfect Blend of Speed and Power, and  
12,000 lb. Capacity—Made for Heavier Loads and Bigger Rigs

The VR EVO 10 & 12 24V feature IP68-rated waterproof construction and an ultra-reliable Albright® contactor inside a relocatable control pack. With its fast line-speed and lower amp draw, the VR EVO series of winches are the hardest-working standard-duty winches we've ever made, with tactical styling that looks great up front and at a price that won't pull you out of your budget. Providing ultimate versatility, the VR EVO 10 & 12 24V are equipped with a bare drum, made to accept both wire or synthetic rope depending on the application, giving end users ultimate flexibility.

- A powerful 24V series-wound motor and planetary gear train deliver faster line speed under load, with lower amp draw
- IP68-rated waterproof winch construction keeps the elements out
- High-performance Albright contactor delivers maximum reliability
- Control packs can be relocated for low-profile installations
- Durable, one-piece cast-aluminum tie-plate for added strength and durability
- Includes a hand-held corded remote with 11' (3.5m) lead
- Limited lifetime warranty for mechanical parts and 7 years on the electrical

PN 110124 VR EVO 10 24V



PN 110224 VR EVO 12 24V

## SPECIFICATIONS

**Winch Model:** VR EVO 10 24V, VR EVO 12 24V

**Parts Numbers:** 110124 (VR EVO 10 24V), 110224 (VR EVO 12 24V)

**Rated Line Pull:** 10000 lbs. (4536 kg)

**Motor:** 24V DC, series wound

**Electrical Controls:** Albright Contactor

**Remote Control:** Hand-held corded remote with 11.5' (3.5m) lead

**Gear Train:** 3-stage planetary

**Gear Ratio:** 218:1

**Clutch (freespooling):** Rotating ring gear clutch

**Brake:** Spring Brake

**Drum Diameter/ Length:** 2.5"/9.0" (6.73cm/23cm)

**Weight:**

**Shipping:** 56 lbs. (25.5 kg)

**Net Product:** 59 lbs. (26.8 kg)

**Rope:**

**Maximum Rope Diameter:** 3/8" (9.5mm)

**Minimum Rope Breaking Strength:** 13,200 lbs (5987 kg)

**Recommended Battery:** 650 CCA min. for winching

**Battery Leads:** 0.98" x 6.5' (25mm x 2m)

**Finish:** Powder coating over primer undercoating

**Warranty:** Limited lifetime

### VR EVO 10 24V DC Performance Specs

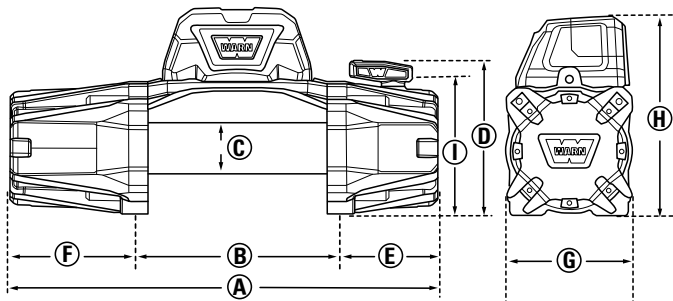
(1st layer of drum)

| Line Pull<br>Lbs. (Kg) | Line Speed<br>Ft./min. (M/min.) | Motor<br>Current | Pull by layer:<br>layer/Lbs (Kg) |
|------------------------|---------------------------------|------------------|----------------------------------|
| 0                      | 22 (6.7)                        | 36 amps          | 1/10000 (4536)                   |
| 2000 (910)             | 13 (4.0)                        | 69 amps          | 2/7996 (3627)                    |
| 4000 (1810)            | 11 (3.4)                        | 100 amps         | 3/6661 (3021)                    |
| 6000 (2720)            | 8.7 (2.7)                       | 131 amps         | 4/5708 (2589)                    |
| 8000 (3630)            | 7.4 (2.3)                       | 161 amps         | 5/4993 (2265)                    |
| 10000 (4536)           | 6.3 (1.9)                       | 188 amps         |                                  |

### VR EVO 12 24V DC Performance Specs

(1st layer of drum)

| Line Pull<br>Lbs. (Kg) | Line Speed<br>Ft./min. (M/min.) | Motor<br>Current | Pull by layer:<br>layer/Lbs (Kg) |
|------------------------|---------------------------------|------------------|----------------------------------|
| 0                      | 21 (6.4)                        | 37 amps          | 1/12000 (5443)                   |
| 2000 (910)             | 13 (4.0)                        | 68 amps          | 2/9517 (4317)                    |
| 4000 (1810)            | 10 (3.0)                        | 96 amps          | 3/7886 (3577)                    |
| 6000 (2720)            | 8.3 (2.5)                       | 126 amps         | 4/6732 (3054)                    |
| 8000 (3630)            | 7.2 (2.2)                       | 153 amps         | 5/5872 (2664)                    |
| 10000 (4536)           | 6.2 (1.9)                       | 178 amps         |                                  |
| 12000 (5440)           | 5.1 (1.6)                       | 206 amps         |                                  |



|                         |                         |                          |
|-------------------------|-------------------------|--------------------------|
| <b>A</b> 21.02" (534mm) | <b>D</b> 7.5" (191.4mm) | <b>G</b> 6.3" (160.5mm)  |
| <b>B</b> 10" (254mm)    | <b>E</b> 4.84" (123mm)  | <b>H</b> 10.08" (256mm)  |
| <b>C</b> 2.54" (64mm)   | <b>F</b> 6.18" (157mm)  | <b>I</b> 6.79" (172.4mm) |

**Winch Dimensions:** 21" L x 6.3" D x 10.1" H  
(534mm L x 160.5mm D x 256mm H)

**Mounting Bolt Pattern:** 10.0" x 4.5" (254mm x 114.3mm)

**Warn Industries, Inc.**  
12900 S.E. Capps Road,  
Clackamas, OR USA 97015-8903



Customer Service (North America):

**1-800-543-9276**

International Sales Support:

**+1 503 722 1200**

[warn.com](http://warn.com)