



SERIES G2 PRODUCT DATA SHEET

| MODEL | PART NUMBER | MOTOR TYPE |
|----------------------------|--------------|--------------|
| SG2 12-A-E12V-10DL-WR00-MC | 104420 | Electric 12V |
| SG2 12-C-E12V-10DL-WR00-MC | 104425 | Electric 12V |
| SERIAL NUMBER | INSPECTED BY | DATE |

| ENGINEERING DATA | | |
|--|--|----------|
| Rated Pulling Force: | 12000 lbf | 5443 kgf |
| Drum Barrel Diameter: | 4 in | 101.6 mm |
| Drum Flange Diameter: | 8.24 in | 209.3 mm |
| Drum Width: | 9.95 in | 252.7 mm |
| Evaluated Rope Diameter: | 7/16 in | 11 mm |
| Maximum Wire Rope Diameter: | 1/2 in | 12.7 mm |
| Minimum Wire Rope Breaking Strength: | 20,400 lbf | 9253 kgf |
| Maximum Layers of Wire Rope: | 4 with 7/16in rope | |
| Gear Train: | Planetary | |
| Gear Reduction: | 321:1 | |
| Mounting Bolt Size: | M12 X 1.75 Class 8.8 | |
| Mounting Bolt Torque: | 46-51 lbf-ft | 63-69 Nm |
| Duty Cycle (per SAE J706 section 6.2): | 11.1 ft | 3.4 m |
| Approximate Shipping Weight: | 97.0 lbf | 44.0 kg |
| Brake Type: | Automatic Disk Brake per SAE J706 Sec. 4.2 | |
| Sealing: | IP68/IP69K | |
| UV Rating: | 1200 kJ/m ² per ASTM G154 | |
| Corrosion Resistance: | 408 hrs per ASTM B117 | |
| Operating Temperature: | -40°F to 158°F (-40°C to 70°C) | |
| Decibels: | 85.5 dB | |
| EMC Emissions: | CISPR 25:2008 | |
| EMC Immunity: | ISO 7637-2:2004 | |

| PERFORMANCE BY LAYER | | | | | |
|----------------------|------------|------|------|------------|-------|
| DRUM LAYER | LINE LOAD* | | | LINE SPEED | |
| | lbf | kgf | kN | ft/min | m/min |
| 1 | 12000 | 5443 | 53.4 | 18.6 | 5.7 |
| 2 | 10024 | 4547 | 44.6 | 20.4 | 6.2 |
| 3 | 8606 | 3904 | 38.3 | 22.3 | 6.8 |
| 4 | 7540 | 3420 | 33.5 | 24.1 | 7.3 |

*Never exceed the Rated Pulling Force. Installation of a Rated Capacity Limiter is recommended

| FIRST LAYER PERFORMANCE | | | | | |
|-------------------------|------|--------------|----------------------|-------|------------|
| LINE LOAD | | CURRENT DRAW | LINE SPEED (AT LOAD) | | DUTY CYCLE |
| lbf | kgf | AMPS | ft/min | m/min | min/10min |
| 0 | 0 | 84.2 | 18.6 | 5.7 | 3:00 |
| 2000 | 907 | 158.6 | 10.6 | 3.2 | 2:00 |
| 4000 | 1814 | 215.7 | 7.4 | 2.3 | 1:20 |
| 6000 | 2722 | 269.7 | 6.1 | 1.9 | 1:00 |
| 8000 | 3629 | 326.0 | 5.1 | 1.6 | 0:40 |
| 10000 | 4536 | 381.2 | 4.0 | 1.2 | 0:25 |
| 12000 | 5443 | 422.8 | 3.9 | 1.2 | 0:20 |



DESCRIPTION

SeriesG2 Electric winches provide new levels of performance, durability, and efficiency to help get jobs done quickly and reliably time after time.

ACCESSORIES

SeriesG2 winches represents an all-new level of modular design, customization, and versatility, no matter the application. Please visit www.warn.com/industrial for all available accessories and options.

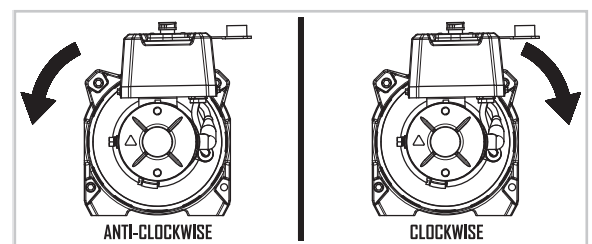
STANDARDS COMPLIANCE

2006/42/EC - EN ISO 12100:2010, EN 60529:1992+A2:2013, EN 14492-1:2006*
 2014/30/EU - EN 50498:2010, ISO 7637-2:2011, CISPR 25
 2011/65/EU - EN 63000:2018

Also complies with:
 SAE J706

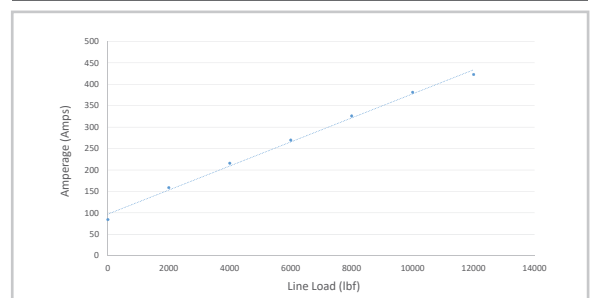
*Conforms with exceptions

DRUM ROTATION



As viewed from motor end

FIRST LAYER PERFORMANCE





SERIES G2 PRODUCT DATA SHEET

| MODEL | PART NUMBER | MOTOR TYPE |
|-------|-------------|------------|
|-------|-------------|------------|

| | | |
|----------------------------|--------|--------------|
| SG2 12-A-E12V-10DL-WR00-MC | 104420 | Electric 12V |
| SG2 12-C-E12V-10DL-WR00-MC | 104425 | Electric 12V |

DRUM CAPACITY BY LAYER

| DRUM LAYER | DRUM LENGTH | | | | | | | |
|------------|-------------|------|-----|------|-----|------|-------|------|
| | 6.5" | | 8" | | 10" | | 12.5" | |
| | ft | m | ft | m | ft | m | ft | m |
| 1 | 15 | 4.6 | 19 | 5.8 | 24 | 7.3 | 29 | 8.8 |
| 2 | 32 | 9.8 | 42 | 12.8 | 53 | 16.2 | 63 | 19.2 |
| 3 | 52 | 15.8 | 69 | 21.0 | 86 | 26.2 | 104 | 31.7 |
| 4 | 75 | 22.9 | 100 | 30.5 | 125 | 38.1 | 150 | 45.7 |

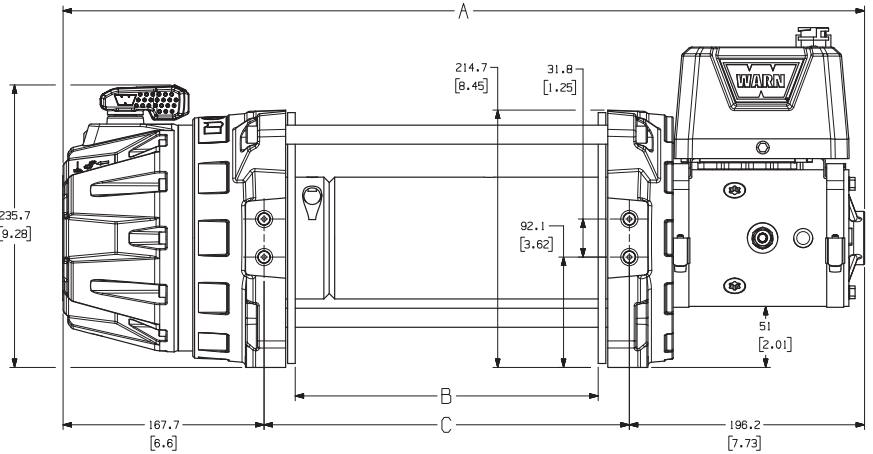
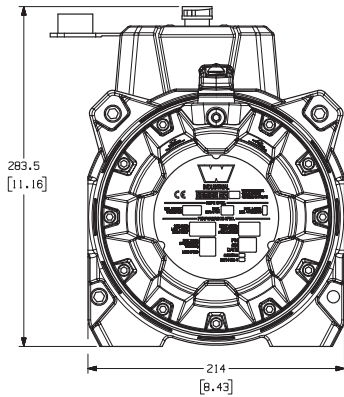
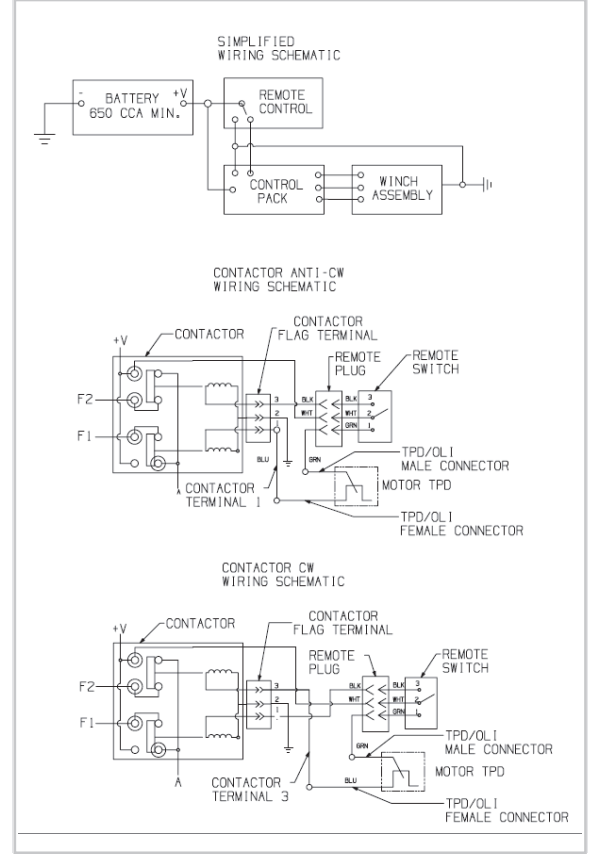
TOTAL DRUM CAPACITY

| ROPE DIAMETER | DRUM LENGTH | | | | | | | |
|---------------|-------------|------|-----|------|-----|------|-------|------|
| | 6.5" | | 8" | | 10" | | 12.5" | |
| | ft | m | ft | m | ft | m | ft | m |
| 7/16 | 75 | 22.9 | 100 | 30.5 | 100 | 30.5 | 150 | 45.7 |
| 1/2 | 60 | 18.3 | 60 | 18.3 | 75 | 22.9 | 100 | 30.5 |

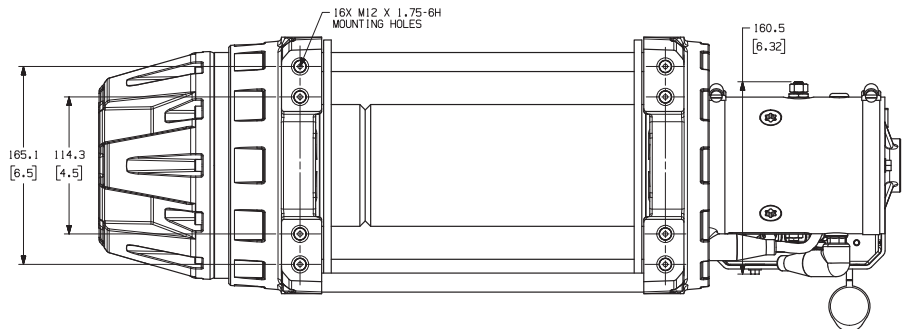
ELECTRICAL SYSTEM SPECIFICATIONS

| | |
|----------------------------|----------|
| Battery Voltage: | 12V |
| Minimum Battery Rating: | 650 CCA |
| Maximum Rated Input Speed: | 5139 RPM |

WIRING SCHEMATIC



| DRUM SIZE | UNITS | A | B WIRE | B SYNTH. | C |
|------------|-------|-------|--------|----------|-------|
| 6.5" DRUM | mm | 579.7 | 163.8 | 151.1 | 215.8 |
| | in | 22.82 | 6.45 | 5.95 | 8.50 |
| 8" DRUM | mm | 617.8 | 201.9 | 189.2 | 253.9 |
| | in | 24.32 | 7.95 | 7.45 | 10.00 |
| 10" DRUM | mm | 668.6 | 252.7 | 240.0 | 304.7 |
| | in | 26.32 | 9.95 | 9.45 | 12.00 |
| 12.5" DRUM | mm | 732.1 | 316.2 | 303.5 | 368.2 |
| | in | 28.82 | 12.45 | 11.95 | 14.50 |

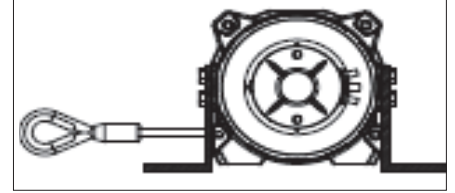
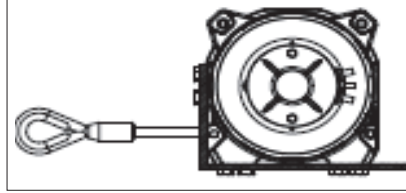
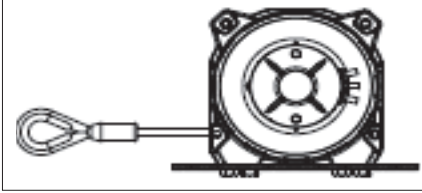




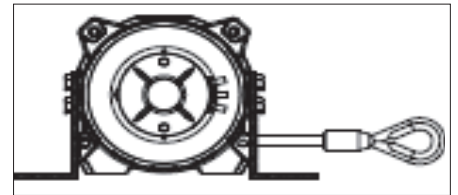
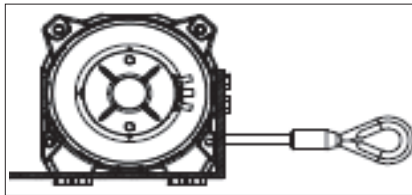
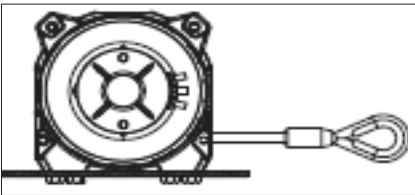
MOUNTING CONFIGURATIONS

| MODEL | PART NUMBER | MOTOR TYPE | ALL MOUNTING MUST BE OBSERVED FROM MOTOR END |
|----------------------------|-------------|--------------|--|
| SG2 12-A-E12V-10DL-WR00-MC | 104420 | Electric 12V | |
| SG2 12-C-E12V-10DL-WR00-MC | 104425 | Electric 12V | |

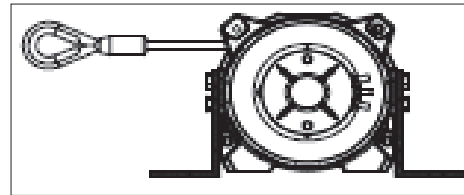
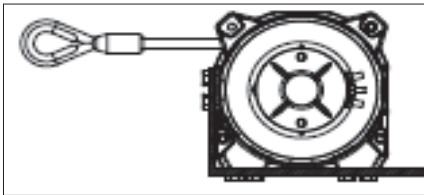
FEET DOWN, ROPE UNDER DRUM, COMING IN FROM THE LEFT (DUL) - ANTI-CLOCKWISE ROTATION



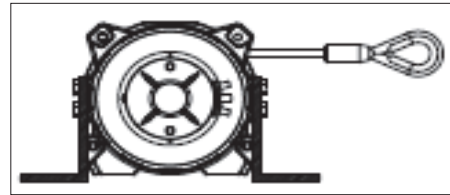
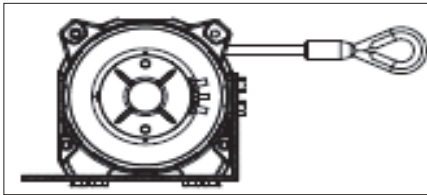
FEET DOWN, ROPE UNDER DRUM, COMING IN FROM THE RIGHT (DUR) - CLOCKWISE ROTATION



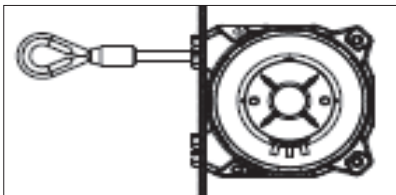
FEET DOWN, ROPE OVER DRUM, COMING IN FROM THE LEFT (DOL) - CLOCKWISE ROTATION



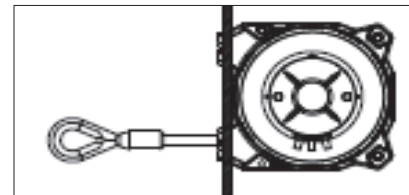
FEET DOWN, ROPE OVER DRUM, COMING IN FROM THE RIGHT (DDR) - ANTI-CLOCKWISE ROTATION



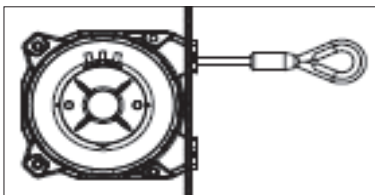
FEET FORWARD, ROPE OVER DRUM, COMING IN FROM THE LEFT (FOL) - CLOCKWISE



FEET FORWARD, ROPE UNDER DRUM, COMING IN FROM THE LEFT (FUL) - ANTI-CLOCKWISE



FEET FORWARD, ROPE OVER DRUM, COMING IN FROM THE RIGHT (FOR) - ANTI-CLOCKWISE



FEET FORWARD, ROPE UNDER DRUM, COMING IN FROM THE RIGHT (FUR) - CLOCKWISE

