



INSTALLATION INSTRUCTIONS

BUMPER KIT

Part Number: 87732

Application: 2012 HONDA FOREMAN 500

GENERAL SAFETY PRECAUTIONS

Your safety, and the safety of others, is very important. To help you make informed decisions about safety, we have provided installation and operating instructions and other information on labels and in this guide. This information alerts you to potential hazards that could hurt you or others. It is not possible to warn you about all potential hazards associated with this product, you must use your own good judgment.

CARELESS INSTALLATION AND OPERATION CAN RESULT IN SERIOUS INJURY OR EQUIPMENT DAMAGE. READ AND UNDERSTAND ALL SAFETY PRECAUTIONS AND OPERATING INSTRUCTIONS BEFORE INSTALLING AND OPERATING THIS PRODUCT.

This guide identifies potential hazards and has important safety messages that help you and others avoid personal injury or death. **WARNING** and **CAUTION** are signal words that identify the level of hazard. These signal words mean:

▲ **WARNING** signals a hazard that could cause serious injury or death, if you do not follow recommendations. ▲ **CAUTION** signals a hazard that may cause minor to moderate injury, if you do not follow recommendations.

This guide uses **NOTICE** to call attention to important mechanical information, and **Note:** to emphasize general information worthy of special attention.

▲ WARNING

IMPACT AND MOVING PARTS ENTANGLEMENT HAZARD

Failure to observe these instructions could lead to severe injury or death

- Always use extreme caution when drilling on any vehicle. Make sure that all fuel lines, brake lines, electrical wires, and other objects are not punctured or damaged when / if drilling on the vehicle. Thoroughly inspect the area to be drilled (on both sides of material) prior to drilling, and relocate any objects that may be damaged. Failure to inspect the area to be drilled may result in vehicle damage, electrical shock, fire or personal injury.
- Always wear safety glasses when installing this kit. A drilling operation will cause flying metal chips. Flying chips can cause eye injury.
- Always use extreme caution when cutting and trimming during fitting.
- Always remove jewelry and wear eye protection.
- Always use appropriate and adequate care in lifting components into place.
- Always insure components will remain secure during installation and operation.
- Always tighten all nuts and bolts securely, per the installation and operation.
- Always perform regular inspections and maintenance on the winch, winch mount and related hardware.

Read installation and operating instructions thoroughly.

WARN INDUSTRIES, INC. 12900 S.E. Capps Road,
Clackamas, OR USA 97015-8903, 1-503-722-1200, FAX: 1-503-722-3000
Customer Service: 1-800-543-9276
Dealer Locator Service: 1-800-910-1122
International Sales/ Customer Service: 1-503-722-3008
International Fax: 1-503-722-3005

⚠ CAUTION

MOVING PARTS ENTANGLEMENT HAZARD

Failure to observe these instructions could lead to minor or moderate injury

- Always take time to fully read and understand the installation and Operations Guide included with this product.
- Never operate this product if you are under 16 years of age.
- Never operate this product when under the influence of drugs, alcohol or medications.

Read installation and operating instructions thoroughly.

NOTICE

EQUIPMENT DAMAGE

- Always refer to the Installation and Specification Guide, supplied in the winch kit, for all wiring schematics and specific details on how to wire this WARN product to your vehicle.
- Never overtighten the j-bolt to the bracket. Doing so will pinch the winch cable against the bracket, damaging the cable.
- Always put the end of the actuator cable through the slot in the Termination Bracket. Terminating the cable through any other hole in the bracket will cause the bracket to not function properly and will drastically reduce the life of the actuator cable.

Read installation and operating instructions thoroughly.

NOTES

This bumper includes mounting holes for WARN trail lights and WXT 2" and 4" lights, which are sold separately.

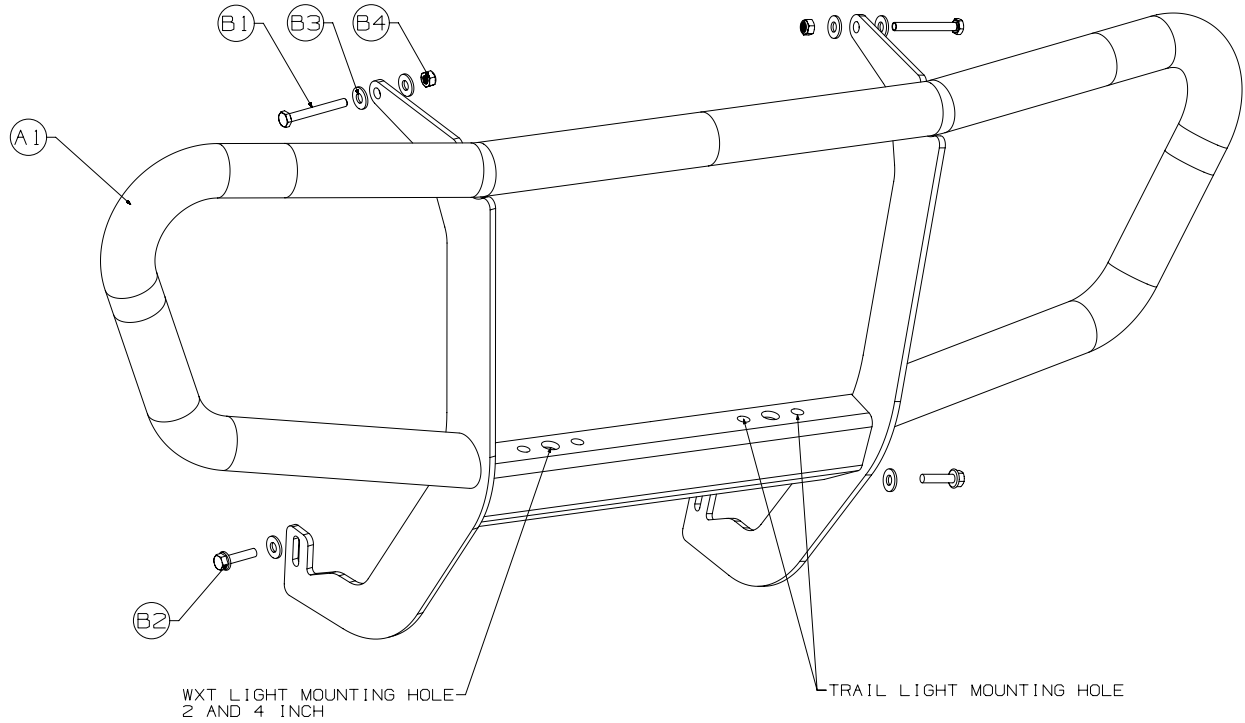
BEFORE YOU BEGIN

TABLE OF CONTENTS

Parts List.....	page x
Tools Required.....	page x
Torque Specifications.....	page x
Installation.....	page x
Tips/Troubleshooting	page x
Maintenance/Care.....	page x

PARTS LIST

Reference	Qty	Description
A1	1	Bumper
B1	2	M6 - 1.0 x 50 mm Hex Head Bolt
B2	2	M6 - 1.0 x 25 mm Flanged Bolt
B3	6	Flat Washer
B4	2	M6 Nylock Nuts



TOOLS REQUIRED

- Ratchet or wrenches
- 10mm socket and wrench
- Drill
- 1/4 Drill bit

TORQUE SPECIFICATIONS

M6 8lb. ft. (10.8 N-m)

INSTALLATION INSTRUCTIONS

1. Remove the two front lower rack bolts using the 10mm socket or wrench. These bolts will not be used for the bumper installation.



2. Locate hole behind plastic cover just in front of rack. Mark and drill with 1/4 in. drill bit.



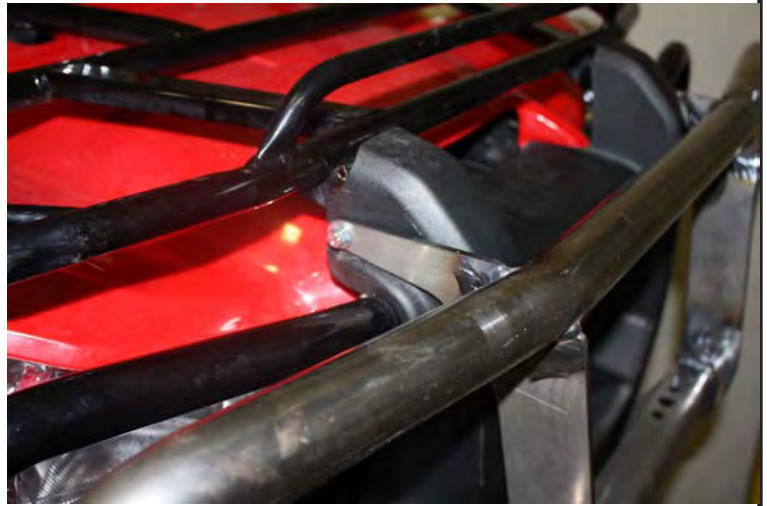
3. Place bumper on vehicle. Place one bolt (Ref. #2) per side, through the lower bumper slots. Loosely fasten the two bolts.



INSTALLATION INSTRUCTIONS

- Align the tabs at the top of the bumper with the rack mounts. If there is a gap between the rack mount and bumper tab, then place a washer between the mount and the tab. Fasten the bumper with the remaining two hex head bolts, washers, lock nuts. bolts.

Tighten all four bolts to the recommended torque of 18lb. ft. (10.8 N-m).



- Installation is now complete.



MAINTENANCE / CARE

- Inspect all parts on the bumper and related hardware prior to each use. Replace all hardware that appears rusted or deformed.

⚠ WARNING

- FAILURE TO SECURELY TIGHTEN ALL BOLTS ON THE BUMPER CAN RESULT IN PRODUCT FAILURE WHICH MAY RESULT IN VEHICLE DAMAGE AND OPERATOR INJURY OR DEATH. DOUBLE CHECK THAT ALL BOLTS ARE SECURELY TIGHTENED PRIOR TO USE.**

CARELESS INSTALLATION AND OPERATION CAN RESULT IN SERIOUS INJURY OR EQUIPMENT DAMAGE. READ AND UNDERSTAND ALL SAFETY PRECAUTIONS AND OPERATING INSTRUCTIONS BEFORE INSTALLING AND OPERATING THIS PRODUCT.

