



INSTALLATION INSTRUCTIONS WINCH MOUNTING KIT

Part Number: 80586

Application: Kawasaki, Mule 4010

Your safety, and the safety of others, is very important. To help you make informed decisions about safety, we have provided installation and operating instructions and other information on labels and in this guide. This information alerts you to potential hazards that could hurt you or others. It is not possible to warn you about all potential hazards associated with this product, you must use your own good judgment.

CARELESS INSTALLATION AND OPERATION CAN RESULT IN SERIOUS INJURY OR EQUIPMENT DAMAGE. READ AND UNDERSTAND ALL SAFETY PRECAUTIONS AND OPERATING INSTRUCTIONS BEFORE INSTALLING AND OPERATING THIS PRODUCT.

This guide identifies potential hazards and has important safety messages that help you and others avoid personal injury or death. **WARNING** and **CAUTION** are signal words that identify the level of hazard. These signal words mean:

▲WARNING signals a hazard that *could* cause serious injury or death, if you do not follow recommendations. **▲CAUTION** signals a hazard that *may* cause minor to moderate injury, if you do not follow recommendations.

This guide uses **NOTICE** to call attention to important mechanical information, and **Note**: to emphasize general information worthy of special attention.

▲ WARNING

INJURY HAZARD

Failure to observe these instructions could lead to severe injury or death.

- ❑ **Always** use extreme caution when drilling on any vehicle. Make sure that all fuel lines, brake lines, electrical wires, and other objects are not punctured or damaged when / if drilling on the vehicle. Thoroughly inspect the area to be drilled (on both sides of material) prior to drilling, and relocate any objects that may be damaged. Failure to inspect the area to be drilled may result in vehicle damage, electrical shock, fire or personal injury.
- ❑ **Always** wear safety glasses when installing this kit. A drilling operation will cause flying metal chips. Flying chips can cause eye injury.
- ❑ **Always** use extreme caution when cutting and trimming during fitting.
- ❑ **Always** remove jewelry and wear eye protection.
- ❑ **Never** lean over battery while making connections.
- ❑ **Never route electrical cables:**
 - Across any sharp edges.
 - Through or near moving parts.
 - Near parts that become hot.
- ❑ **Always** insulate and protect all exposed wiring and electrical terminals.
- ❑ **Always** install terminal boots as directed in installation instructions.
- ❑ **Always** use appropriate and adequate care in lifting components into place.
- ❑ **Always** insure components will remain secure during installation and operation.
- ❑ **Always** tighten all nuts and bolts securely, per the installation and operation.
- ❑ **Always** perform regular inspections and maintenance on the winch, winch mount and related hardware.

⚠ CAUTION

Moving Parts Entanglement Hazard

Failure to observe these instructions could lead to minor or moderate injury.

- Always** take time to fully read and understand the installation and Operations Guide included with this product.
- Never** operate this product if you are under 16 years of age.
- Never** operate this product when under the influence of drugs, alcohol or medications.

Read installation and operating instructions thoroughly.

Notice

Equipment Damage

- Always** refer to the Installation and Specification Guide, supplied in the winch kit, for all wiring schematics and specific details on how to wire this WARN product to your vehicle.
- Never** overtighten the j-bolt to the bracket. Doing so will pinch the winch cable against the bracket, damaging the cable.
- Always** put the end of the actuator cable through the slot in the Termination Bracket. Terminating the cable through any other hole in the bracket will cause the bracket to not function properly and will drastically reduce the life of the actuator cable.

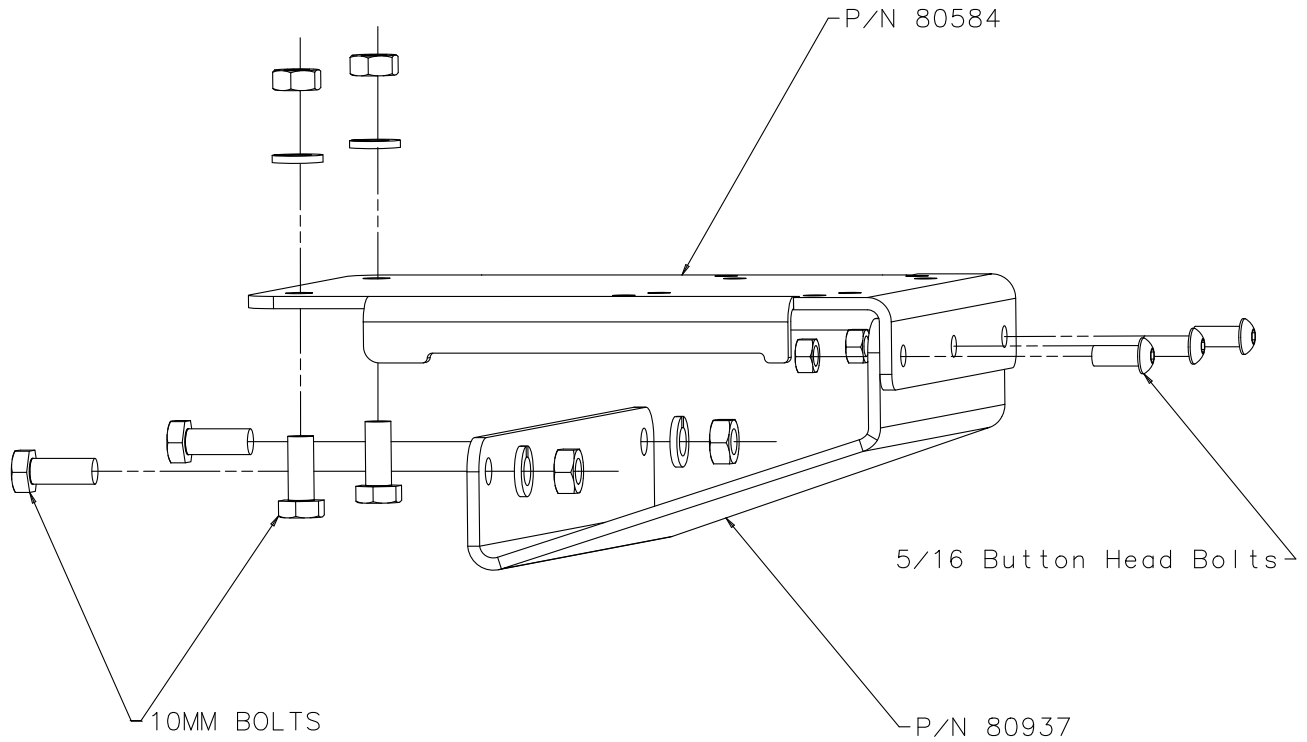
Read installation and operating instructions thoroughly.

I. TABLE OF CONTENTS

| | |
|-----------------------|----------|
| Parts List | page 2 |
| Tools Required | page 3 |
| Torque Specifications | page 3 |
| Installation | page 4-6 |
| Maintenance/Care | page 6 |

II. PARTS LIST

| <u>Part Number</u> | <u>Qty</u> | <u>Description</u> |
|--------------------|------------|----------------------------------|
| 22527 | 4 | Hex Capscrew M10x1.5x25mm |
| 25350 | 4 | Hex Nut M10x1.5 |
| 2146 | 4 | Lock Washer 7/16 |
| 65347 | 3 | Button, Socket, Head 5/16-18x3/4 |
| 2002 | 3 | Lock Nut 5/16-18 |
| 80584 | 1 | Winch Plate |
| 80937 | 1 | Mounting Bracket |



III. TOOLS REQUIRED

- 3/16 Allen Wrench
- 17mm, 16mm, 13mm Wrench
- Phillips-Head Screwdriver

IV. TORQUE SPECIFICATIONS

| | |
|------|-----------------------|
| 10mm | 31 lb. ft. (42 N-m) |
| 5/16 | 17 lb. ft. (12.5 N-m) |

V. INSTALLATION (*Winch*)

1. Using a Phillips-head screw driver, remove the four screws that attach the front plastic as shown in Figure 1. Set aside the front plastic until further into winch instruction.



Figure 1

2. Bolt the top plate P/N 80584 as shown in figure two, using two of the four 10mm bolts provided in the hardware kit along with lock washers and nuts. Note that it is easier to run the bolts up through the bottom of the two plates, rather than down through the top. Do not tighten yet, just run the nuts up snug.

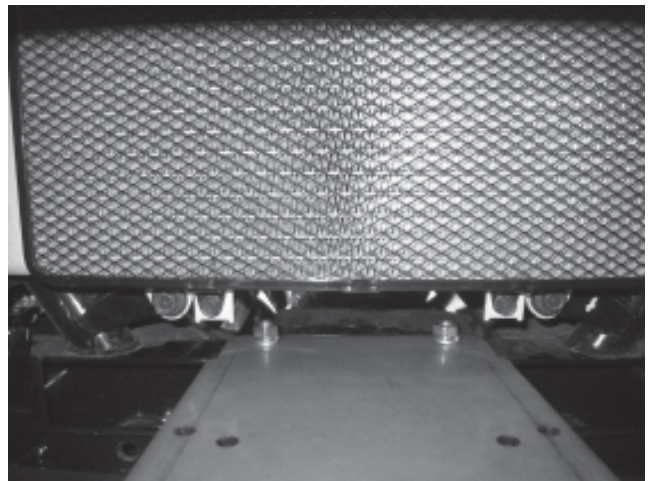


Figure 2

3. Make sure the top plate is straight to the vehicle, using the lower plate P/N 80937 to line it up as shown in figure 3. Do not attach the lower plate yet. Tighten the top plate at this time per torque specifications on page 3.

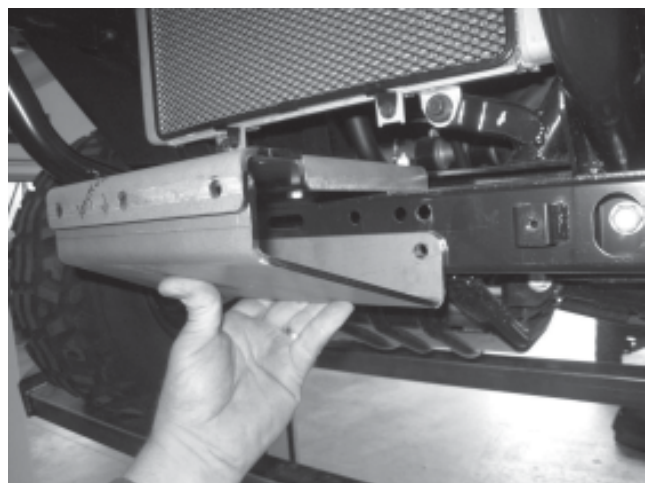


Figure 3

V. INSTALLATION (*continued*)

4. If you are ready to mount a winch, you need to do it at this time. This will allow good access to the winch fasteners as shown in figure 4. You may torque the winch fasteners at this time.



Figure 4

5. Reattach the front plastic you removed in step 1 at this time. Only install the top two Phillips screws, leaving the plastic to hang loosely as shown in figure 5.



Figure 5

6. Attach the lower bracket from step 3 at this time. Place one of the button head cap screws and nylock nut in the front of the plate, this will support the plate while you install the 10mm fasteners in the rear of the plate. By leaving the plastic loose, this will allow enough room to place lock washers, and the nuts on the 10mm bolts. Do not tighten yet.

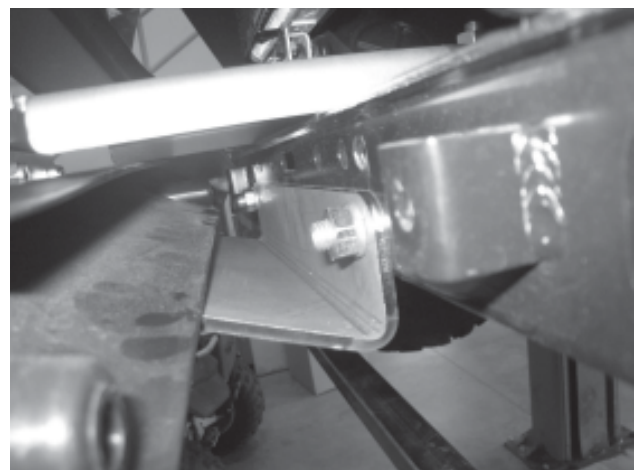


Figure 6

7. Install the remaining Button Head fasteners at this time and tighten all remaining fasteners to torque specifications on page 3.
8. Install the last two Phillips Head screws in the bottom of the plastic. You are now ready to run the electrical to your winch.
9. Refer to the WINCH OPERATOR'S MANUAL for contactor installation.
10. Refer to the WINCH OPERATOR'S MANUAL for full and complete details on wiring installation.



Figure 7

⚠ WARNING

READ THE VEHICLE'S OPERATOR MANUAL, WINCH OPERATOR MANUAL, AND ALL WARNING LABELS PRIOR TO OPERATION OF ATV AND WINCH.

⚠ WARNING

FAILURE TO SECURELY TIGHTEN ALL BOLTS ON THE WINCH PLATE, WINCH, AND FAIRLEAD CAN RESULT IN PRODUCT FAILURE WHICH MAY RESULT IN VEHICLE DAMAGE AND OPERATOR INJURY OR DEATH. DOUBLE CHECK THAT ALL BOLTS ARE SECURELY TIGHTENED PRIOR TO USE.

VI. MAINTENANCE/CARE

1. Inspect all parts on the winch, winch mount, and related hardware prior to each use. Replace all hardware that appears rusted or deformed.
2. Inspect all nuts and bolts on the winch, winch mount,, and related hardware prior to each use. Tighten all nuts that appear to be loose. Stripped, fractured, or bent bolts or nuts need to be replaced.
3. Check all cables prior to use. Replace cables that look worn or frayed.
4. Check all moving or rotating parts. Remove debris that may inhibit the part from moving freely.

⚠ WARNING

PERFORM REGULAR INSPECTIONS ON THE WINCH, WINCH MOUNT, AND RELATED HARDWARE. NEVER OPERATE THE WINCH WITH DAMAGED OR MISSING PARTS. FAILURE TO FOLLOW THIS WARNING MAY CAUSE VEHICLE DAMAGE AND OPERATOR INJURY OR DEATH.