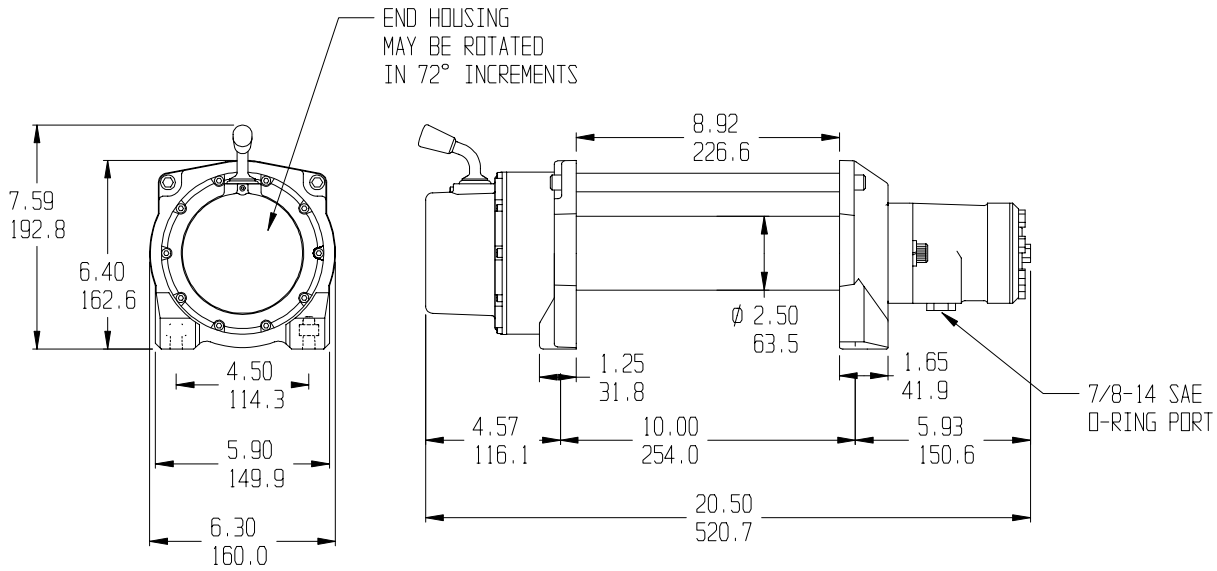


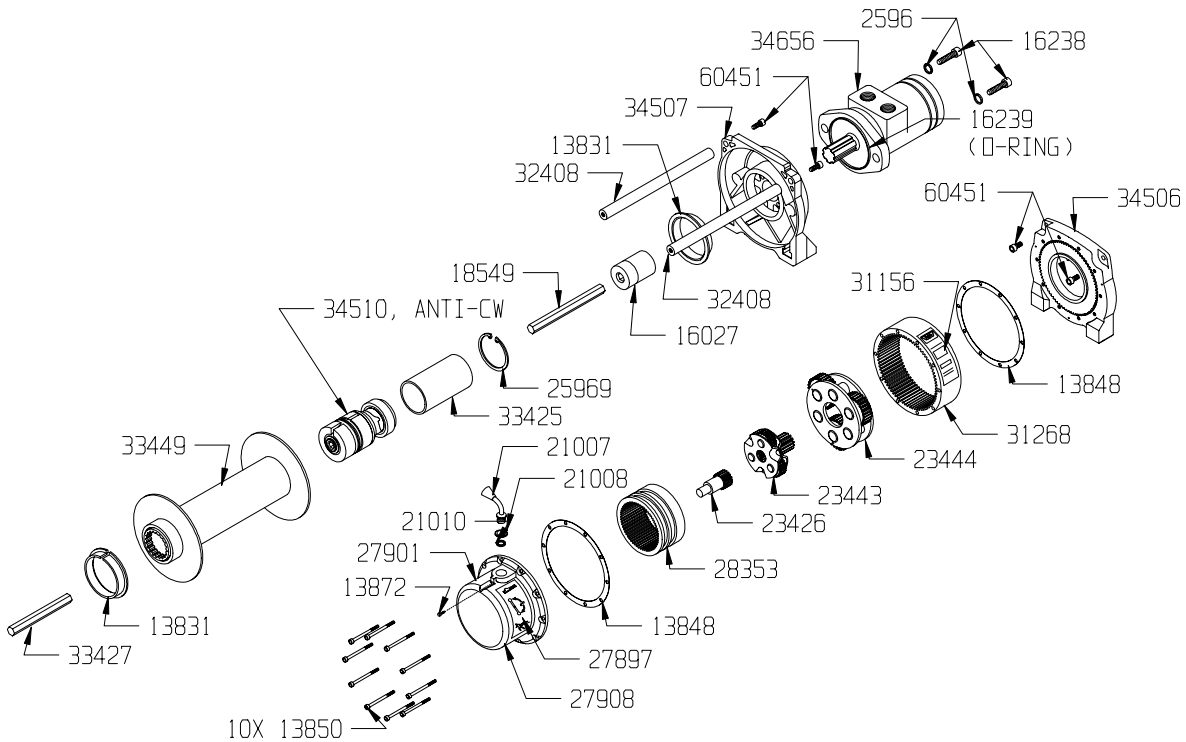
# WARN INDUSTRIAL WINCH

WINCH MODEL	PART NUMBER	TYPE
<b>SERIES 6 HYD</b>	PN 33445	<b>HYDRAULIC 3.0 cu in</b>

## DIMENSIONAL DATA



## REPLACEMENT PARTS



## WARN INDUSTRIES, INC. INDUSTRIAL PRODUCTS

12900 S.E. Capps Road, Clackamas, OR USA 97015-8903  
 Customer Service (in North America): 1.800.543.9276  
 Customer Service (international): 1.503.722.3008  
 Fax: 1.503.722.3000 www.warn.com

