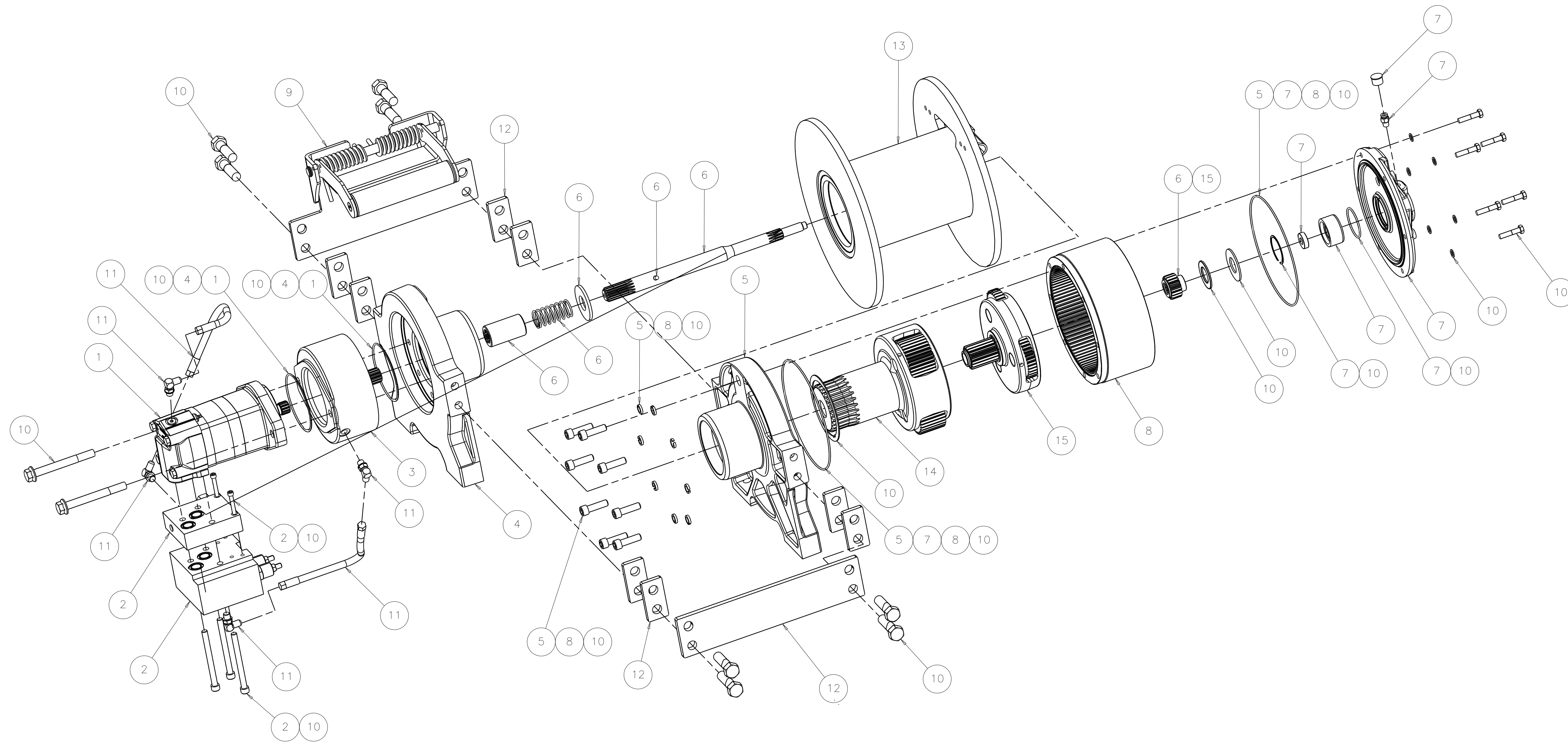


CONFIDENTIAL
 THIS DOCUMENT CONTAINS PROPRIETARY INFORMATION OF WARN INDUSTRIES. NEITHER THIS DOCUMENT, NOR THE INFORMATION IT CONTAINS, MAY BE USED, DISCLOSED TO OTHERS, OR COPIED, WHOLE OR IN PART, WITHOUT THE WRITTEN CONSENT OF WARN INDUSTRIES.



Item	Qty	Name	Part #
1	1	SVC KIT-MOTOR-HYD-11.9CI	79208
2	1	SVC KIT-MANIFOLD-HYD	77435
3	1	SVC KIT-BRAKE ASSY	77436
4	1	SVC KIT-DRUM SUPPORT-MTR END	77438
5	1	SVC KIT-DRUM SUPPORT-GEAR END	77439
6	1	SVC KIT-DRIVESHAFT-STD	77440
7	1	SVC KIT-END HSG ASSY-AIR	77441
8	1	SVC KIT-RING GEAR	77444
9	1	SVC KIT-TENSIONER-STD	77445
10	1	SVC KIT-HARDWARE-SEAL	77446
11	1	SVC KIT-HOSE-HYD	77447
12	1	SVC KIT-TIE PLATE-STD	77448
13	1	SVC KIT-DRUM ASSY-30K-STD	80922
14	1	SVC KIT-CARRIER-STG2-6.0-6.0	80924
15	1	SVC KIT-CARRIER-STG1-6.0-6.0	80925
16	1	WIRE ROPE ASSY-5/8 EIPS X 140FT	77453

NOTES:
 1. WARN P/N 77900.
 2. ITEM 16- WIRE ROPE ASSY NOT SHOWN ON THIS DRAWING.

A0	23936	RELEASE	PL
REV	E.N. NO.	DESCRIPTION OF CHANGE	PROJ. ENGR.
REVISIONS			
		WARN INDUSTRIES, INC. 12900 S.E. CAPPS ROAD, CLACKAMAS, OREGON USA 97015-8903	
DIMENSIONS & TOLERANCES IN ACCORDANCE WITH ANSI/ASME Y14.5M-1994			
THIRD ANGLE PROJECTION		SEE BOM	
DIMENSIONS ARE IN	<input type="checkbox"/> MILLIMETERS <input checked="" type="checkbox"/> INCHES		
UNSPECIFIED TOLERANCES		TITLE	
ONE PLACE DEC. (X.X) ±		RPL-WINCH ASSY-SRS 30XL-STD DRUM-AIR	
TWO PLACE DEC. (X.XX) ±			
THREE PLACE DEC. (X.XXX) ±			
FOUR PLACE DEC. (X.XXXX) ±			
SCALE	1:4	DRAWN	PROJECT ENGR
	SHEET 1 OF 1	V-SRINIVAS	LINES
	D	DATE	DRAWING NO.
		2009/04/24	986679