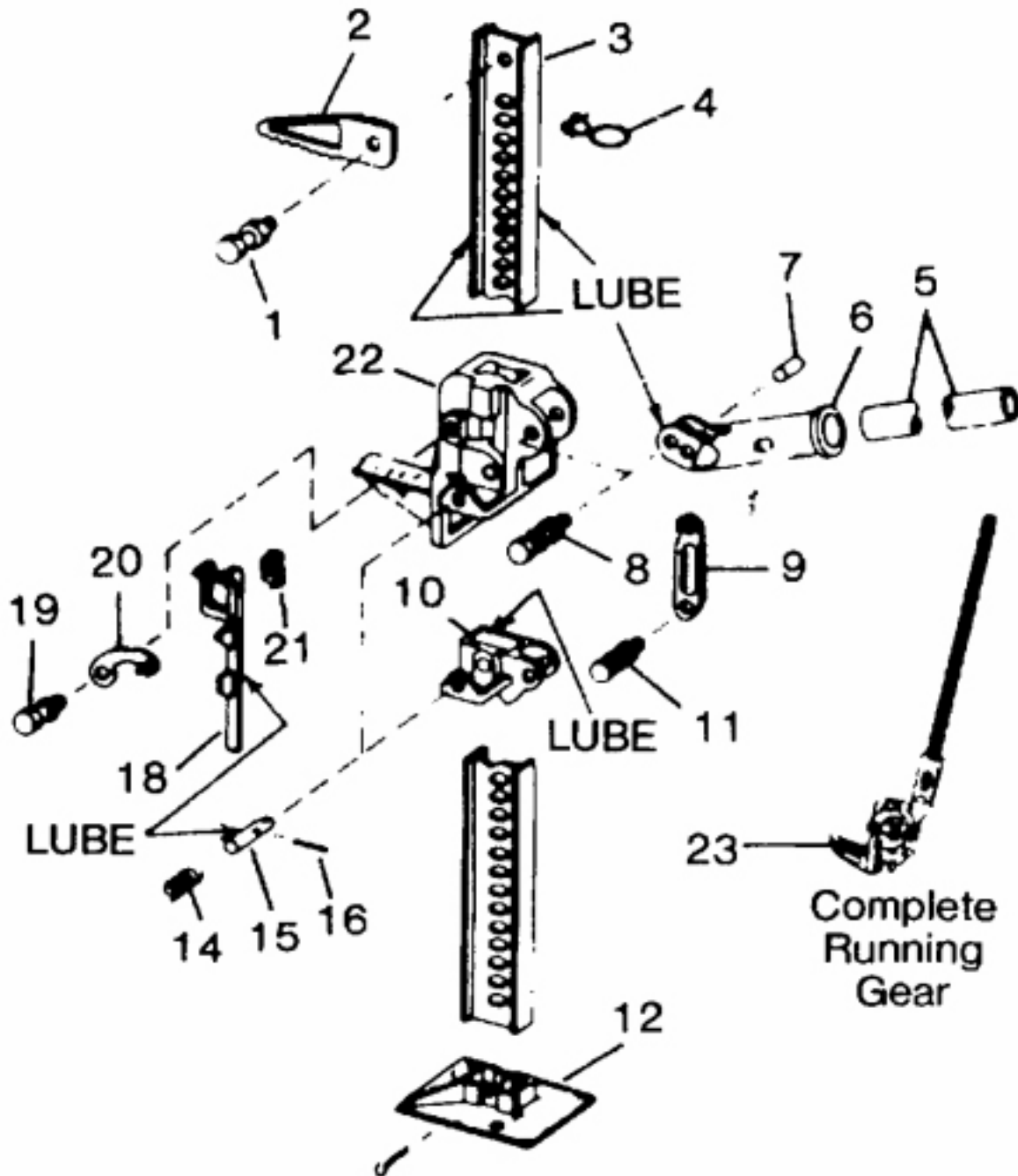


Hi-Lift varaosat



1	20-21	Top Clamp-Clevis Bolt & Nut
2	C7	Cast Top-Clamp Clevis (Red)
3	B42C	42" Steel Bar (Red)
.	B48C	48" Steel Bar (Red)
.	B60C	60" Steel Bar (Red)
4	31	Handle Clip Spring
5	15-25	Steel Handle W/ Cotter Pin
6	C2	Cast Handle Socket (Red)
7	30	Pitman Pin
8	16A-17	Handle Socket Bolt & Nut
9	C3	Cast Pitman (Red)
10	C1	Small Runner (Red)
11	18A-19	Safety Shear Bolt & Nut
12	C6-24	Cast Foot Piece W/ Cotter Pin
14	28	Climbing Pin Spring
15	29	Climbing Pin
16	26	Cross Pin
18 & 21	C5-27A	Red Reversing Switch & Spring
19	22A	Cap Screw W/ Washer
20	C4	Reversing Latch (Red)
21	27A	Reversing Switch Spring
22	C10	Large Runner (Red)
23	RGC	Running Gear (Assembled) (Red)
.	FK-1	Fix-It-Kit (includes 2 each parts 29, 26, 28, one 18A-19, and a tube of lubricant)